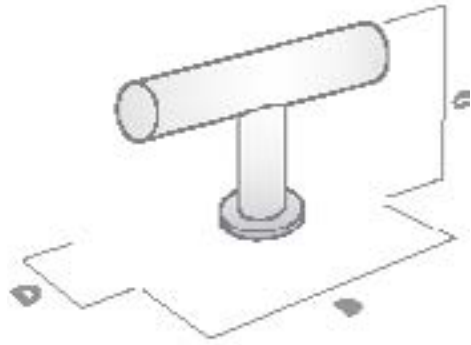


# STIRLING

## THE STATEMENT COLLECTION



STIRLING SOLID BRASS 'T' KNOB

FINISH	CODE	HC	L	W/D	P/H
Matt Black	220.050.04	-	50mm	10mm	35mm
Polished Chrome	220.050.06	-	50mm	10mm	35mm
Dull Brushed Nickel	220.050.10	-	50mm	10mm	35mm
Satin Brass	220.050.35S	-	50mm	10mm	35mm
Bronze	220.050.47	-	50mm	10mm	35mm



STIRLING APPLIANCE PULL HANDLE

FINISH	CODE	HC	L	W/D	P/H
Matt Black	220.352.04	352mm	450mm	18mm	48mm
Polished Chrome	220.352.06	352mm	450mm	18mm	48mm
Dull Brushed Nickel	220.352.10	352mm	450mm	18mm	48mm
Satin Brass	220.352.35S	352mm	450mm	18mm	48mm
Bronze	220.352.47	352mm	450mm	18mm	48mm

HC Hole Centres (A)  
 L Overall Length (B)  
 W/D Width or Diameter (D)  
 P/H Projection or Height (C)

### AVAILABLE FINISHES:



Matt Black

Satin Brass

Polished Chrome

Dull Brushed Nickel

Bronze

# STIRLING

## THE STATEMENT COLLECTION



### STIRLING SOLID BRASS HANDLE

FINISH	CODE	HC	L	W/D	P/H
Matt Black	220.128.04	128mm	178mm	10mm	35mm
Polished Chrome	220.128.06	128mm	178mm	10mm	35mm
Dull Brushed Nickel	220.128.10	128mm	178mm	10mm	35mm
Satin Brass	220.128.35S	128mm	178mm	10mm	35mm
Bronze	220.128.47	128mm	178mm	10mm	35mm
Matt Black	220.192.04	192mm	242mm	10mm	35mm
Polished Chrome	220.192.06	192mm	242mm	10mm	35mm
Dull Brushed Nickel	220.192.10	192mm	242mm	10mm	35mm
Satin Brass	220.192.35S	192mm	242mm	10mm	35mm
Bronze	220.192.47	192mm	242mm	10mm	35mm

HC Hole Centres (A)  
 L Overall Length (B)  
 W/D Width or Diameter (D)  
 P/H Projection or Height (C)

### AVAILABLE FINISHES:



Matt Black

Satin Brass

Polished Chrome

Dull Brushed Nickel

Bronze